

→ PRODUCT DESCRIPTION

Firestop blocks **INTU FR BRICK** are made of a material that expands under the influence of temperature above 140°C. Intumescent inserts close the hole during fire, preventing the spread of fire and smoke.

- fire resistance class up to **EI 120**
- for use in walls and floors
- available sizes: from Ø50mm to Ø200mm
- possibility to protect the penetrations with/without cables

→ APPLICATION

INTU FR BRICKs are installed in openings in walls or floors for protecting cable penetrations (cables ≤ 21mm, cable bundle up to 100mm), as well as openings alone without cables. The intumescent material that swells during a fire fills the hole completely, preventing fire and smoke from entering adjacent rooms. It is possible to run cables through an already installed block in the hole.

Rigid walls:

The wall must be at least 150mm thick and have concrete, cellular concrete structure or masonry structure, with a minimum density of 600kg/m³

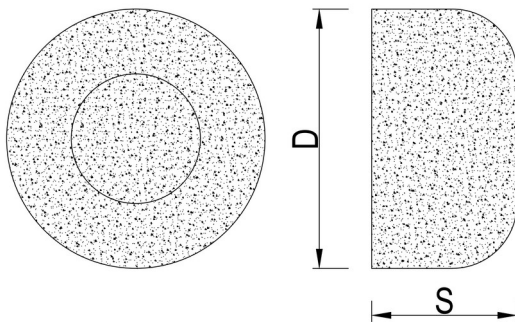
Rigid floors:

The floor must be at least 150mm thick and have concrete, cellular concrete structure or masonry structure, with a minimum density of 1700kg/m³



→ COMPLIANCE

- Reference standard:
EN 1366-3 / ETAG 026-2 / EAD 350454-00-1104
- DoP 9/2019
- TDS
- SDS



D – diameter of firestop block [mm]
S – width of firestop block = 50 mm

Fire resistance class EI 120					
Diameter D [mm]	60	115	140	170	215
Hole diameter [mm]	50-55	105-110	120-135	155-165	200-210
Art. No.	INBR60C	INBR115C	INBR140C	INBR170C	INBR215C

➔ SOLUTION DETAILS

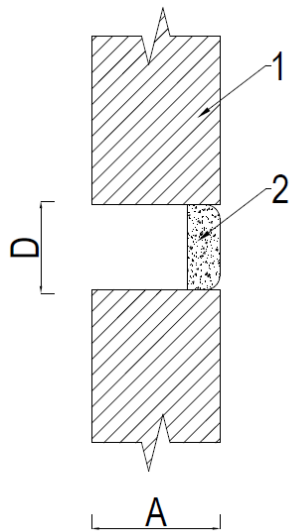


Fig. 1. Penetrations without cables
D – hole diameter; A – partition width

- 1 – wall/floor partition
- 2 – INTU FR BRICK firestop block

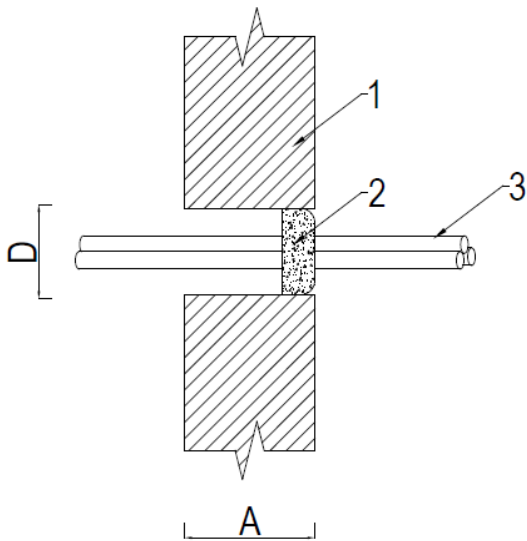


Fig. 2. Penetrations with cables
D – hole diameter; A – partition width

- 1 – wall/floor partition
- 2 – INTU FR BRICK firestop block
- 3 – single cable/bunch of cables
(any gaps fill with intumescent acrylic mastic INTU FR MASTIC)

➔ INSTALLATION METHOD

1. Adjust the size of the firestop block to the size of the hole.
2. Push the block into the hole.
3. For laying cables, cut out the hole in the block, and then run the cables through the fireproof block.

➔ TRANSPORT AND STORAGE

Store in dry and cool conditions at temperatures between + 5°C and + 25°C.