



→ DESCRIPCIÓN DEL PRODUCTO

Firestop penetration **INTU FR TRANSIT** are made of a plastic casing, FEF foam filling and an intumescent material that expands under the influence of fire and fills the entire space after burnt-out electric cables.

- fire resistance class up to **EI 120**
- for use in walls and floors
- available sizes: from $\varnothing 58\text{mm}$ to $\varnothing 160\text{mm}$
- possibility to protect the penetrations with/without cables

→ APLICACIÓN

Firestop penetration **INTU FR TRANSIT** are installed in openings in walls or floors for protecting cable penetrations (cables $\leq 21\text{mm}$, cable bundle up to 100mm), as well as openings alone without cables. The intumescent material that swells during a fire fills the hole completely, preventing fire and smoke from entering adjacent rooms. It is possible to run cables through an already installed block in the hole.

Rigid walls:

The wall must be at least 150mm thick and have concrete, cellular concrete structure or masonry structure, with a minimum density of 600kg/m^3

Rigid floors:

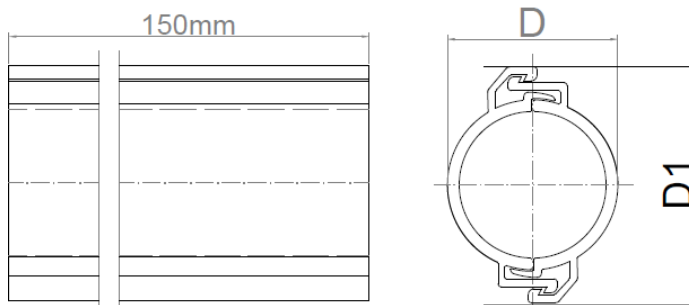
The floor must be at least 150mm thick and have concrete, cellular concrete structure or masonry structure, with a minimum density of 1700kg/m^3



→ NORMAS

- Reference standard:
EN 1366-3 / ETAG 026-2 / EAD 350454-00-1104
- DoP 16/2019
- TDS
- SDS

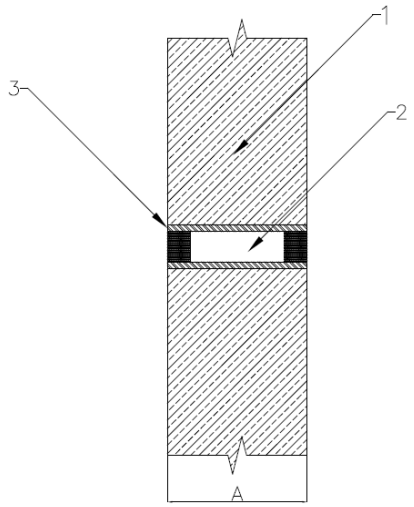
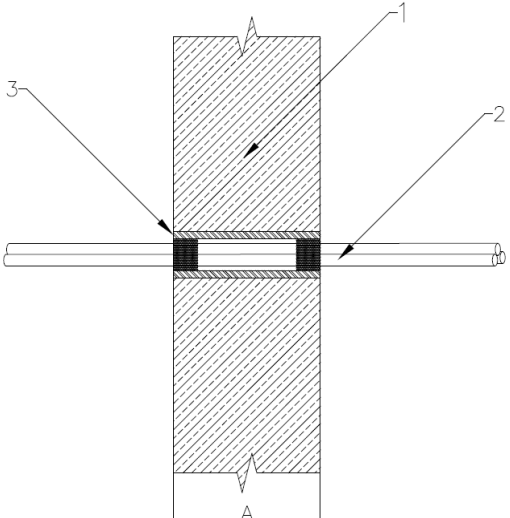
→ DIMENSIONES, CLASIFICACIÓN AL FUEGO



D – nominal diameter [mm]
D1 – outer diameter [mm]
L – length = 150mm

Diámetro interior D [mm]	58	83	110	160
Diámetro exterior D1 [mm]	80	110	134	190
Resistencia al fuego	WALL – EI120 FLOOR – EI 120	WALL – EI120 FLOOR – EI 120	WALL – EI120 FLOOR – EI 120	WALL – EI120 FLOOR – EI 60
Referencia producto	INTR58	INTR83	INTR110	INTR160

➔ DETALLES DE SOLUCIONES CERTIFICADAS

	<p>Fig. 1. Penetrations without cables A – partition width min 150mm</p> <p>1 – wall/floor partition 2 – free space 3 – firestop penetration INTU FR TRANSIT</p>
	<p>Fig. 2. Penetrations with cables A – partition width min 150mm</p> <p>1 – wall/floor partition 2 – single cable/bunch of cables (any gaps fill with intumescent acrylic mastic INTU FR MASTIC) 3 – firestop penetration INTU FR TRANSIT</p>

➔ PUESTA EN OBRA

1. Adjust the size of the firestop partition to the size of the hole.
2. Push INTU FR TRANSIT into the hole.
3. Fill up the free space with mortar
4. For laying cables, cut out the hole in the block, and then run the cables through the fireproof block.
5. Any gaps fill with intumescent acrylic mastic INTU FR MASTIC

➔ TRANSPORTE Y ALMACENAMIENTO

Store in dry and cool conditions at temperatures between + 5°C and + 25°C.