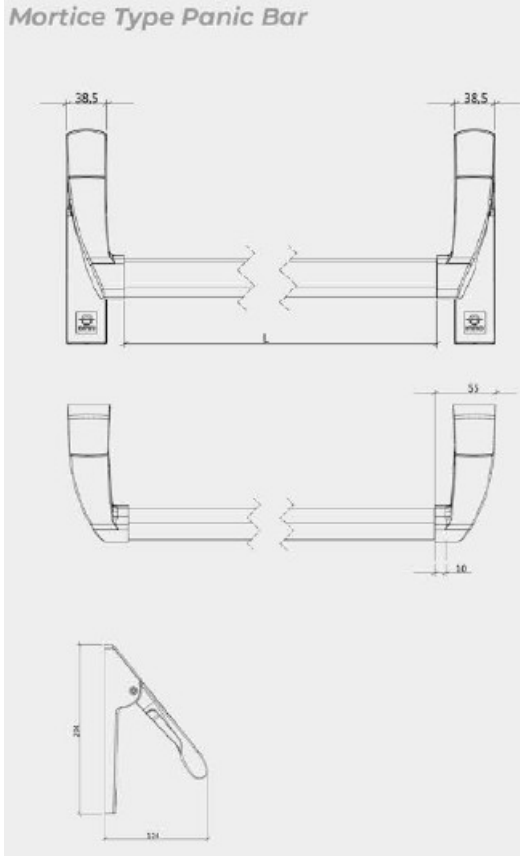




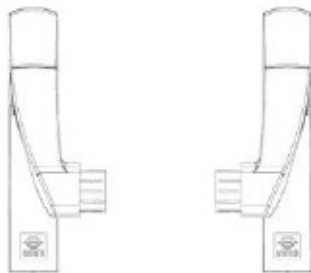
## BARRA ANTIPÁNICO EMPOTRADA OMN-600G-AL-PSL de 1 o 2 puntos con manilla OMN-66M

### Mortice Type Panic Bar

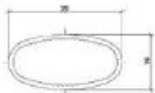


#### Technical Specifications

- Suitable for fire exit and smoke controlled doors
- Mortice lock type: single point or double point locking
- Compatible with EN 1125 standards
- CE certificate
- Compatible with DIN right and DIN left
- Aluminium casing and lever handle, aluminium bar, steel operating parts
- Color options:
  - Casing and lever handle; stainless steel satin
  - Aluminium bar; stainless steel satin
- Used with 66M and series outside lever handles



Product Code	RAL Code	Product Description
OMN-600G-AL-PSL		AL - Paslanmaz satine görünüm AL - Stainless steel finish



Ürün Kodu Product Code	Ürün Tanımı Product Description	RAL Kodu RAL Code	850	1000	1200
OMN-600-BR-AL-85-PSL	AL - Paslanmaz satine görünüm AL - Stainless steel finish		●	○	○